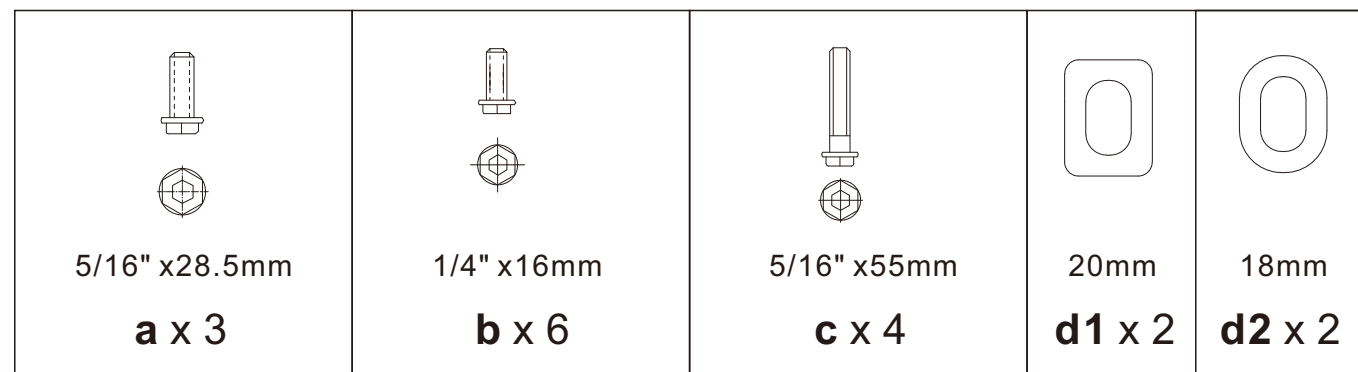
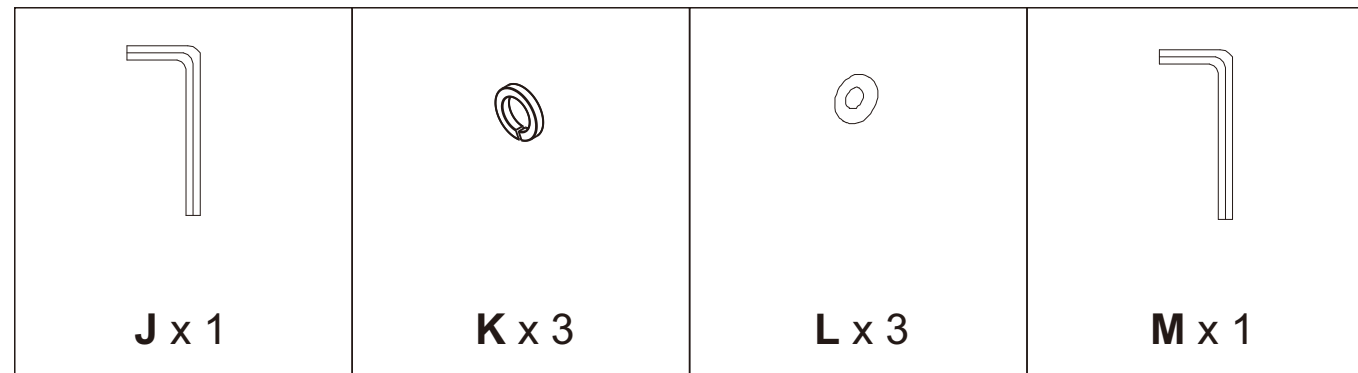
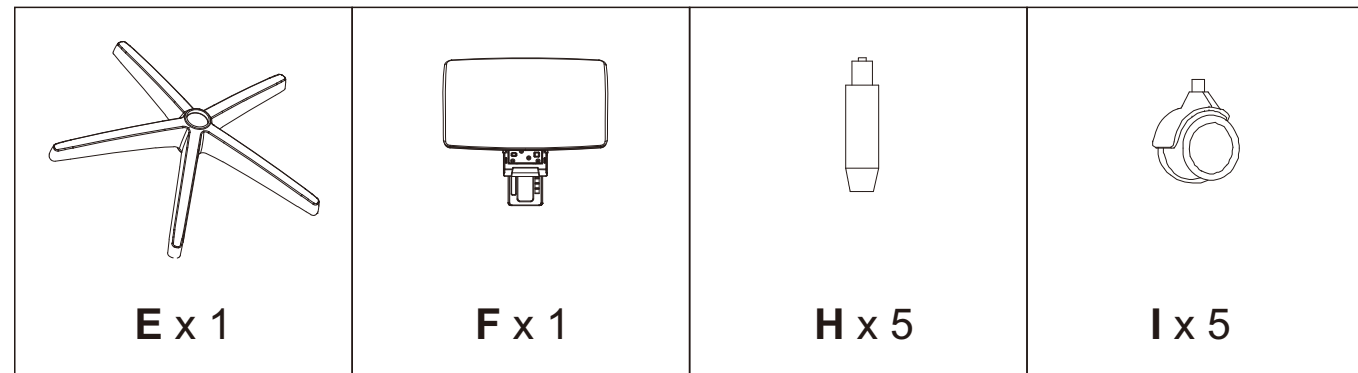
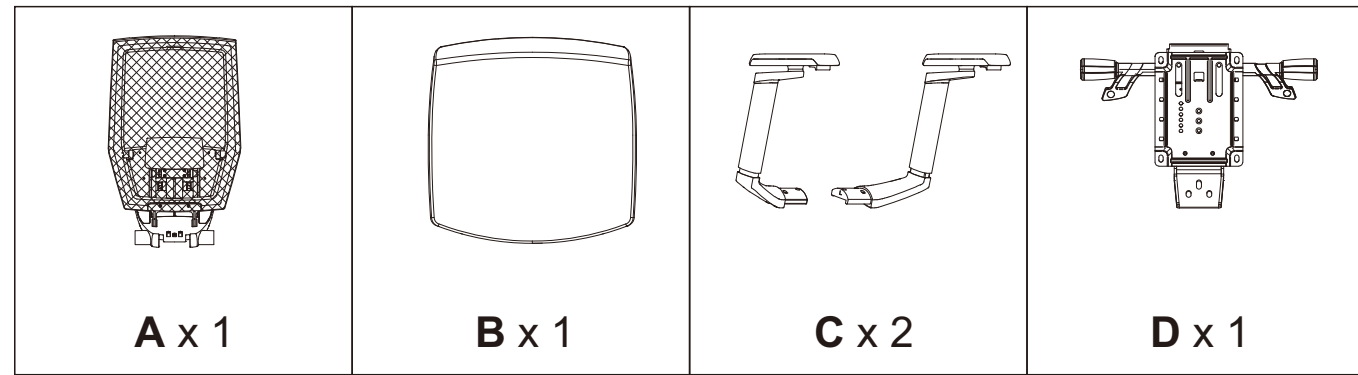
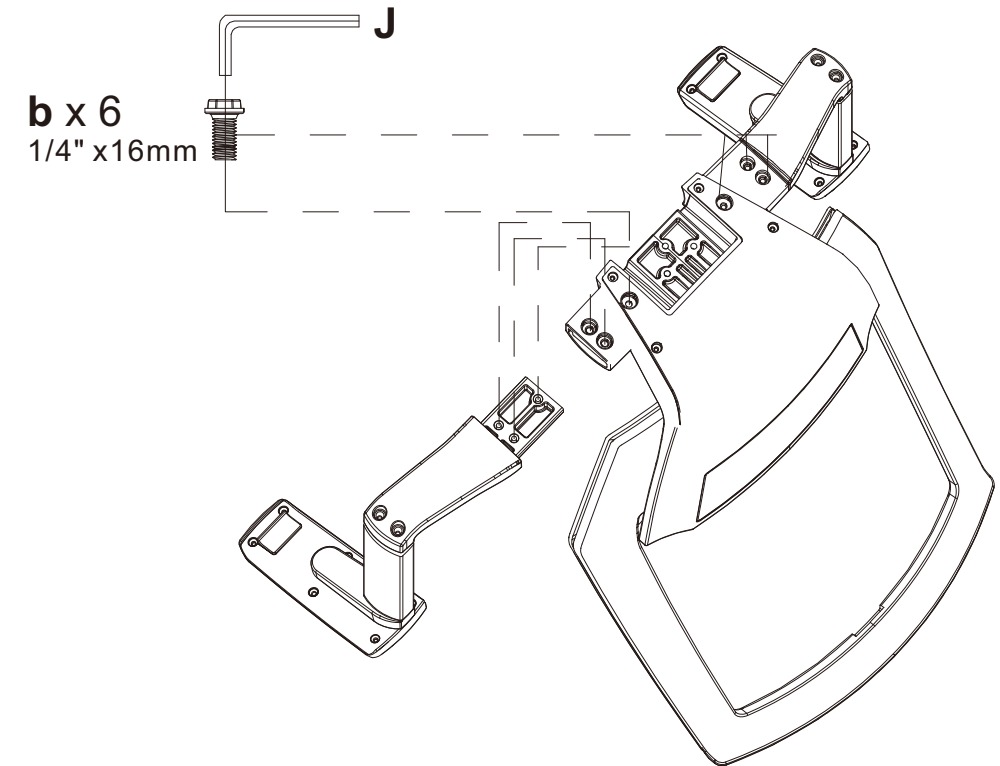


Main Parts



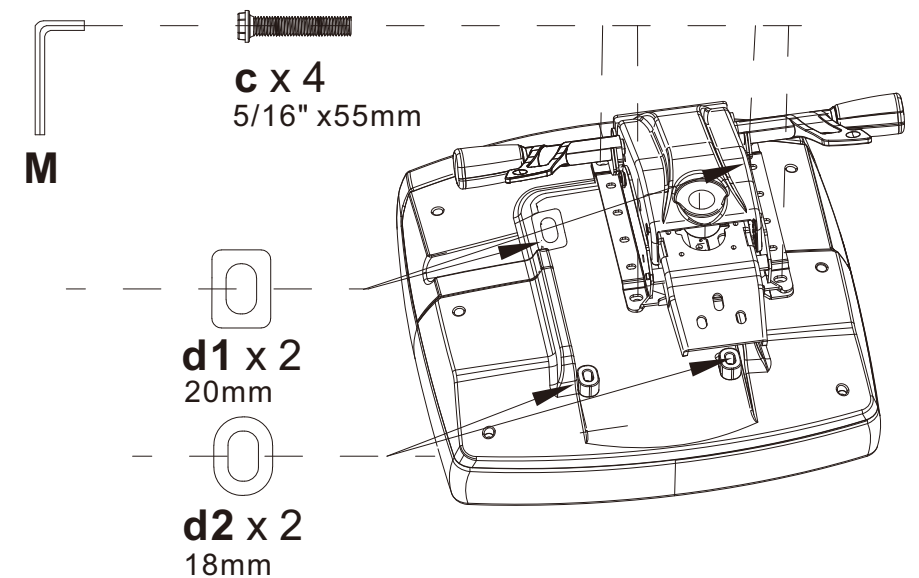
Step 1

Assemble the armrests to the back of the chair first, and fix the left and right armrests with 6 screw (b).



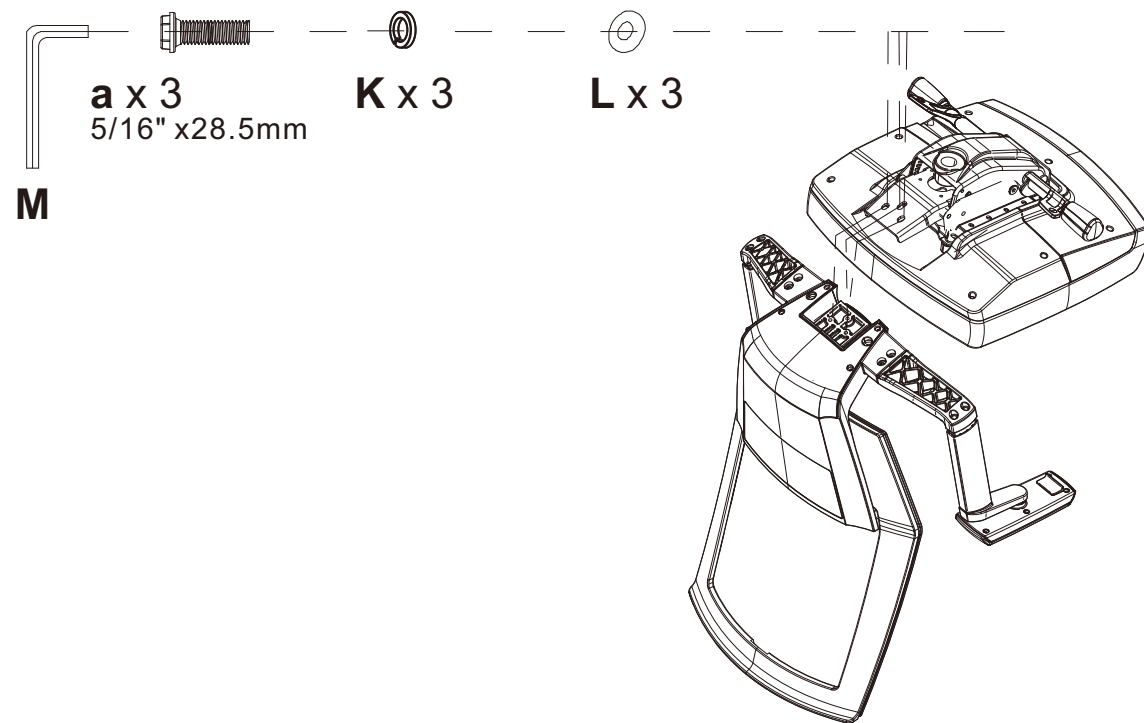
Step 2

First install the rubber pads (d1) in the two holes at the front, and install rubber pads (d2) in the two holes at the back. Then install the chassis and fix it with screws (c).



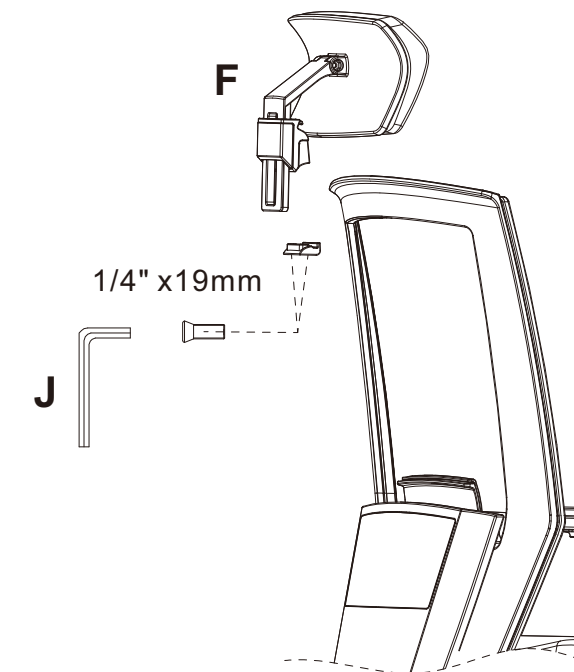
Step 3

Put the screw (a) on the spring cushion (K) first, then put on the flat washer (L), install the back pad on the chassis tail plate, and fix it with the spring cushion and flat washer screw (a).



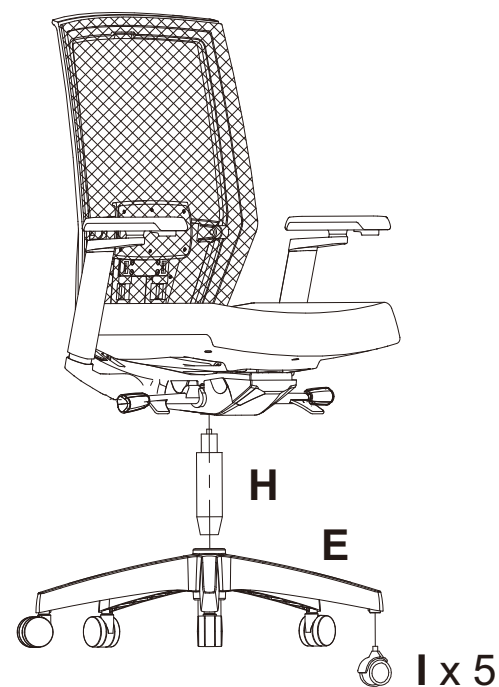
Step 5

First loosen the screws on the headrest, separate the headrest fixing plate from the fixing part, stroke the head fixing plate to the headrest installation position of the back frame, and then fix the headrest with the previously loosened screws.

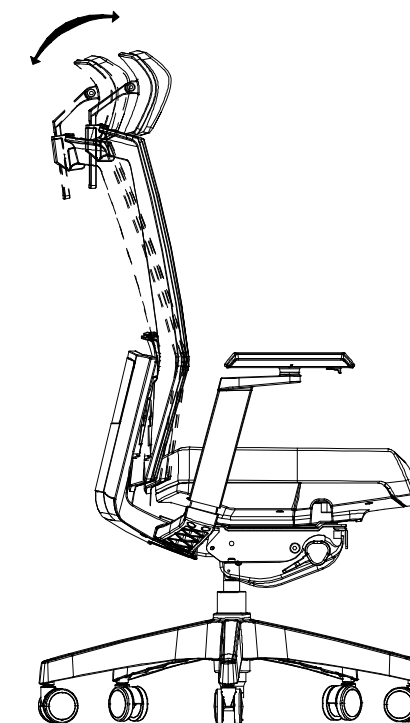


Step 4

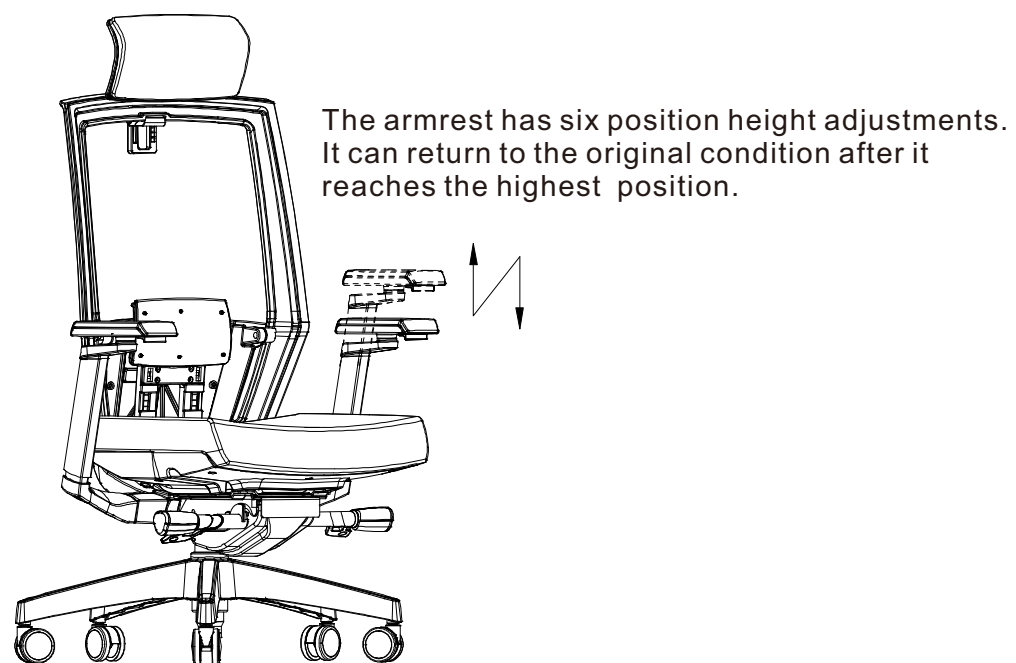
First insert the wheel (I) into the base, insert the air gas lift (H) into the center hole of the base, and then align the upper part of the assembled chair and insert it.



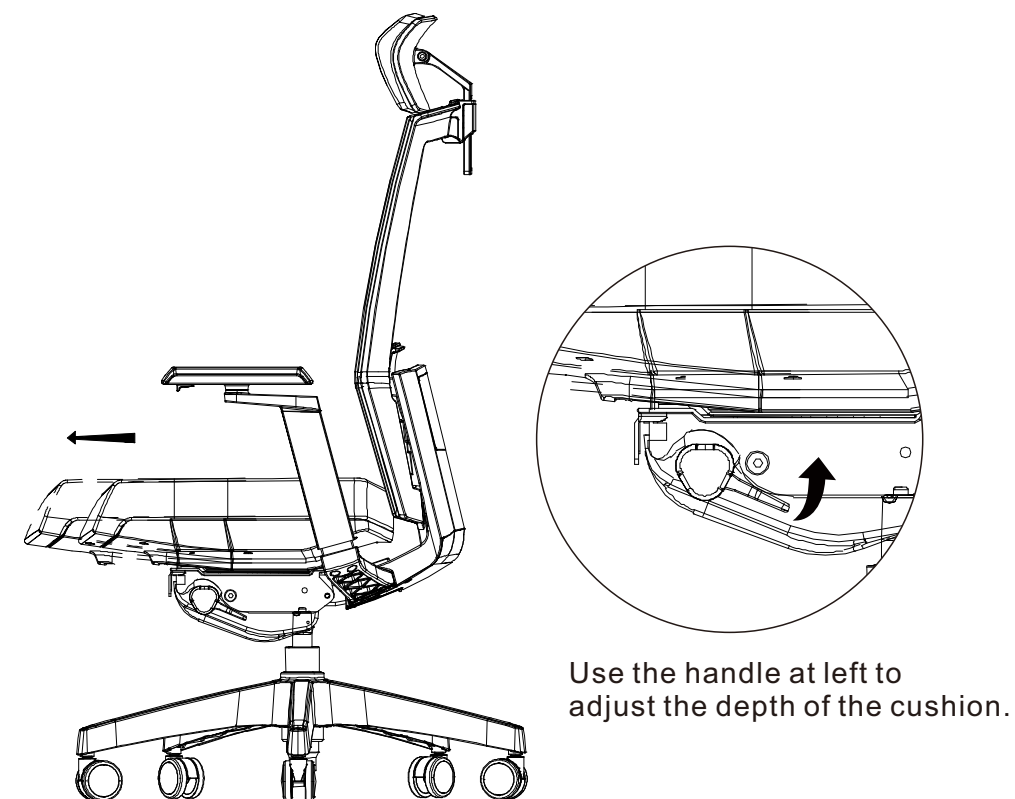
Back cushion micro tilt function



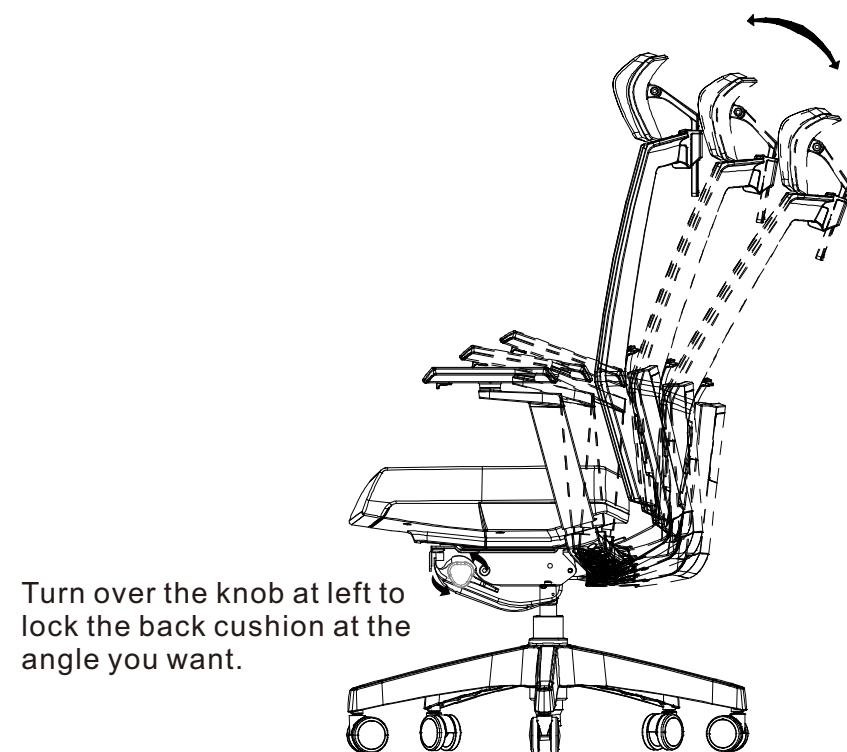
Armrest lifting function



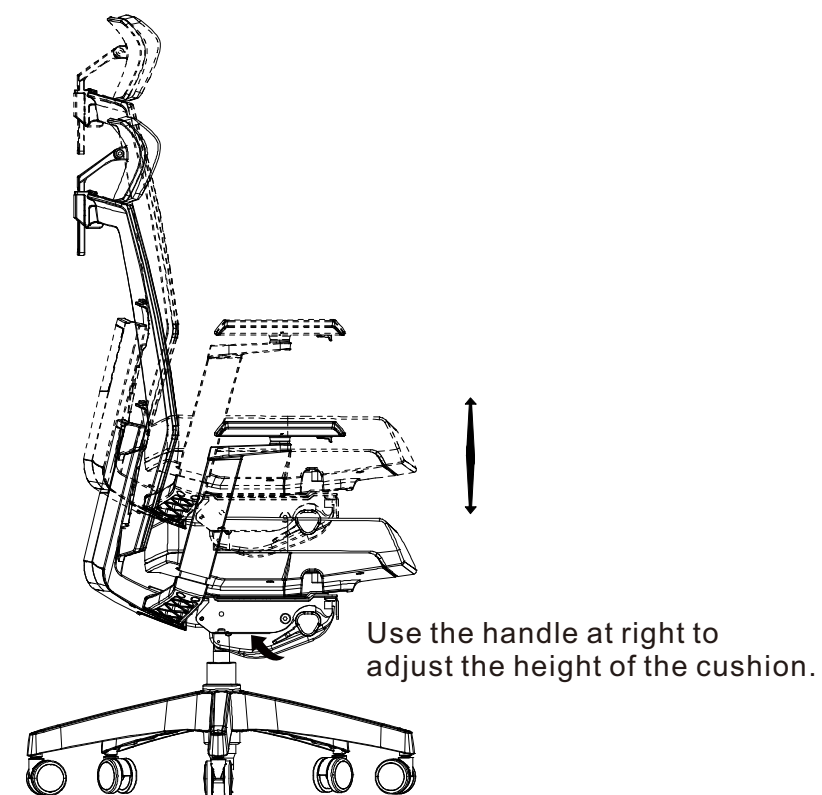
Cushion depth adjustment function



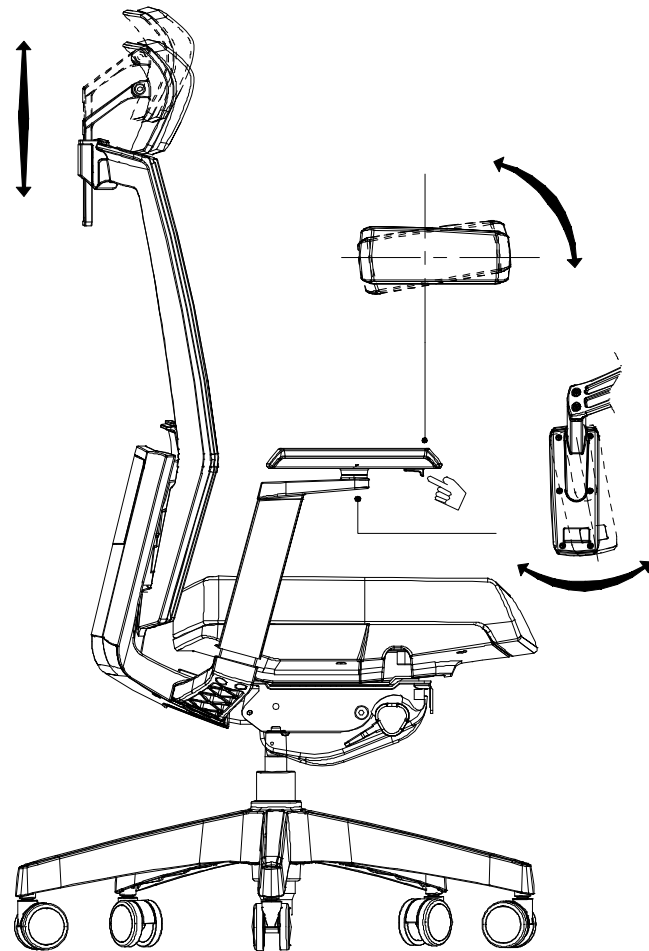
Back cushion angle adjustment function



Cushion height adjustment function



Headrest lifting function and Armrest rotation function



Use and Maintenance

1. Avoid prolonged exposure to the whole or part of the furniture from the sun.
2. Do not use cleaning agents containing chemical substances to clean furniture, and also avoid contact with corrosive liquids such as acids and alkalis.
3. The furniture should be protected from water erosion when cleaning.
4. Please don't stand on the chair.
5. Do not be near open flames and burning materials.
6. Do not engrave the surface of this product with sharp objects to avoid damage to the covering fabric of the seat cushion and backrest.
7. Check the connectors of this product regularly, and reinforce them if they are loose. Avoid accidents that caused by product parts to fall off due to loose connections and cause injuries.

Moving and storage

1. When moving the furniture, move it gently, and don't push it hard to avoid loosening or breaking of the tripod and rollers.
2. When transporting, it should be carried with the outer packaging, and handle with care. When reinstalling, make appropriate adjustments after the furniture is placed and keep it in normal use.
3. When the chair is not used for a long time and need to be stored, it should be covered with dust-proof and strong light-proof packaging materials. Chairs need to be stored indoors in a dry and ventilated environment.

Special note

This manual does not contain any position expressions or other hints, it is only used as a kind of service guidance. For this reason, our company reserves the right to modify the manual, and the content may be updated at any time without further notice. If you need our company's latest product status, you can call our company directly.